



## 6.3 cu. ft. Electric Slide-in Range

- Built-in Air Fry, Air Sous-Vide
- InstaView® Window
- ProBake® Convection
- Triple Element (UltraHeat™)
- Dual Element (UltraHeat™)
- EasyClean® + Self Clean
- 6.3 cu. ft. Large Capacity
- Temperature Probe
- Storage Drawer
- LG ThinQ® Technology (Wi-Fi)



### COLOR AVAILABILITY

- LSEL6337XE – PrintProof™ Stainless Steel

### CAPACITY

Oven Capacity	6.3 cu. ft.
Drawer Capacity	0.8 cu. ft.

### OVEN FEATURES

Convection System	ProBake® Convection
Oven Cooking Modes	Bake, Convection Bake, Convection Roast, Broil High, Broil Low, Warm, Keep Warm, Proof, Frozen Meal, Air Fry, Air Sous-Vide, EasyClean®, Self Clean
Infrared Heating™ System	No
Air Sous Vide	Yes
Built-in Air Fry	Yes (Air Fry Tray Included)
Temperature Probe	Yes
Oven Racks	2 Heavy Duty
Number of Rack Positions	7
Broil Element	4,200 W
Bake Element	–
Convection Element	2,500 W
Convection Conversion	Yes
EasyClean®	Yes
Self Clean	Yes
GoCook Smart Oven Light	Yes (1 Halogen)
Door Lock	No
Automatic Safety Shut-Off	After 12 Hours

### DRAWER FEATURES

Type	Storage
------	---------

### COOKTOP FEATURES

Cooktop Type	Radiant
Number of Elements	5
Element Size / Wattage	
Left Front	Dual 9" / 6" – 3,200W (UltraHeat™)
Left Rear	6" – 1,200W
Center	7" – 100W
Right Front	Triple 12" / 9" / 6" – 3,600W (UltraHeat™)
Right Rear	6" – 1,200W
Hot Surface LED Indicator	Yes

### CONTROLS

Cooktop Control Type	Front Tilt-Control Knobs w/LED Lighting
Oven Control Type	SmoothTouch® Glass
Display	LED (White)
Language	English
Kitchen Timer	Yes
Timed Cook	Yes
Clock	12 hr or 24 hr (option)
Temperature Unit of Measure	°F or °C
Cooking Complete Reminder Volume	High, Low, Off
Oven Control Lock	Yes

### CONVENIENCE

ADA Compliant	Yes
Sabbath Mode	Yes (Star-K-Certified)

### SMART FEATURES

Wi-Fi Enabled	Yes
ThinQ® Technology	Yes
ThinQ Care™	Yes
Voice Control	Amazon Alexa, Google Assistant
SmartDiagnosis™	Yes
Smart Recipe (3rd Party Apps)*	Yes (SideChef, Innit, Nestle, Kraft-Heinz)

## FINISHES AND APPEARANCE

Fingerprint & Smudge Resistant Exterior	Yes
Cooktop Finish	Black Ceramic Glass
Handle / Knobs	Stainless Steel Appearance
Oven Door Feature	InstaView® Window (WideView™)

## TECHNICAL SPECS

Required Power Supply	120 / 208-240 V, 60 Hz, 3-Wire or 4-Wire
Minimum Circuit Rating	40 Amp
kW Rating at 208V	10.2
kW Rating at 240V	13.6
Power Cord	Not Included
Electrical Receptacle	4-Wire (14-50R) / 3-Wire (10-50R)
Power Outlet Location	See Installation Diagram

## INCLUDED ACCESSORIES

2 Heavy Duty Racks, Air Fry Tray, Temperature Prob, Scouring Pad, Spray Bottle, Cooktop Cleaner, Rear Filler Kit, Anti-tip Bracket, Broiler Pan and Grid, Pizza Stone and Peel

## OPTIONAL ACCESSORIES

Slide-in Range Filler Kit (Side Gaps)	LSFL301S
Air Fry Rack	LRAL302S

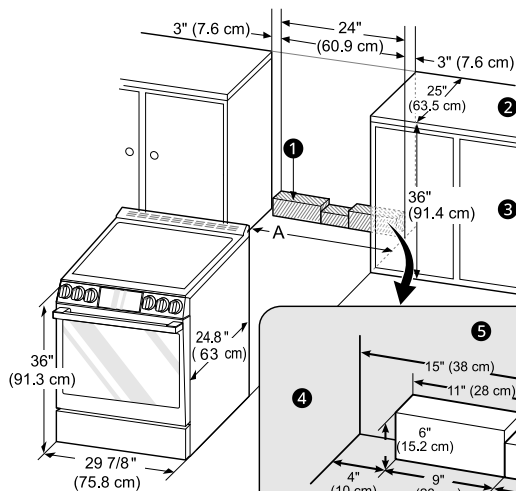
## DIMENSIONS / CLEARANCES / WEIGHTS

Product Dimensions (W x H x D w/Handle)	29 7/8" x 36 1/2" x 29 1/4"
Product Height to Cooking Surface	36"
Cutout Dimensions (W x H x D)	30" x 36" x 25"
Carton Dimensions (W x H x D)	32 1/2" x 44" x 30 1/2"
Approx. Weight (Product / Carton)	161.7 lbs. / 221 lbs.

## LIMITED WARRANTY

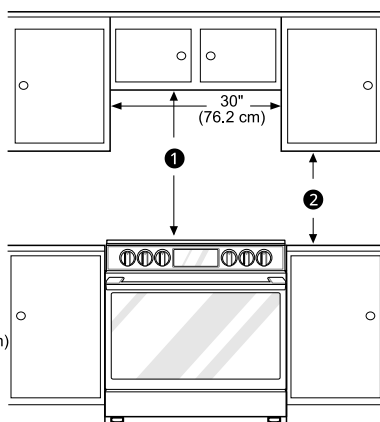
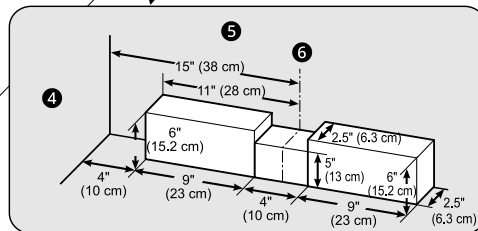
Parts and Labor	1 Year
-----------------	--------

## DIMENSIONS / CLEARANCES



## DIMENSIONS / CLEARANCES

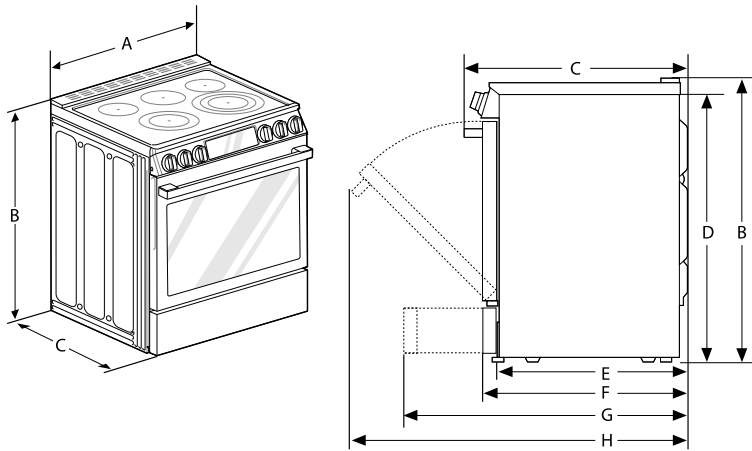
1	Acceptable electrical outlet area
2	Normal counter top depth
3	Counter top height
4	Cabinet
5	Wall
6	Center
A	Cabinet Opening – 30" (762 mm)



## MINIMUM DIMENSIONS

- 30" (76.2 cm) minimum clearance between the top of the cooking surface and the bottom of an unprotected wood or metal cabinet; or 24" (60.9 cm) minimum when bottom of wood or metal cabinet is protected by not less than 1/4" (6.4 cm) flame retardant millboard covered with not less than no. 28 MSG sheet steel, 0.015" (0.381 mm) stainless steel, 0.024" (0.610 mm) aluminum or 0.020" (0.508 mm) copper.
- 15" (38.1 cm) minimum between countertop and adjacent cabinet bottom.

## DIMENSIONS / CLEARANCES



## DIMENSIONS / CLEARANCES

A	Width	29 7/8" (759 mm)
B	Height	36 1/2" (928 mm)
C	Depth (Includes Door Handle)	29 1/4" (742 mm)
D	Height (Excludes Vent Trim)	36 1/8" (916 mm)
E	Depth (Includes only the product body that is loaded into the cabinet. Excludes door and handles)	24 5/8" (627 mm)
F	Depth (Excludes Door Handle)	26 7/8" (683 mm)
G	Depth when drawer is fully opened	38 1/4" (973 mm)
H	Depth when door is fully opened	48 1/2" (1233 mm)